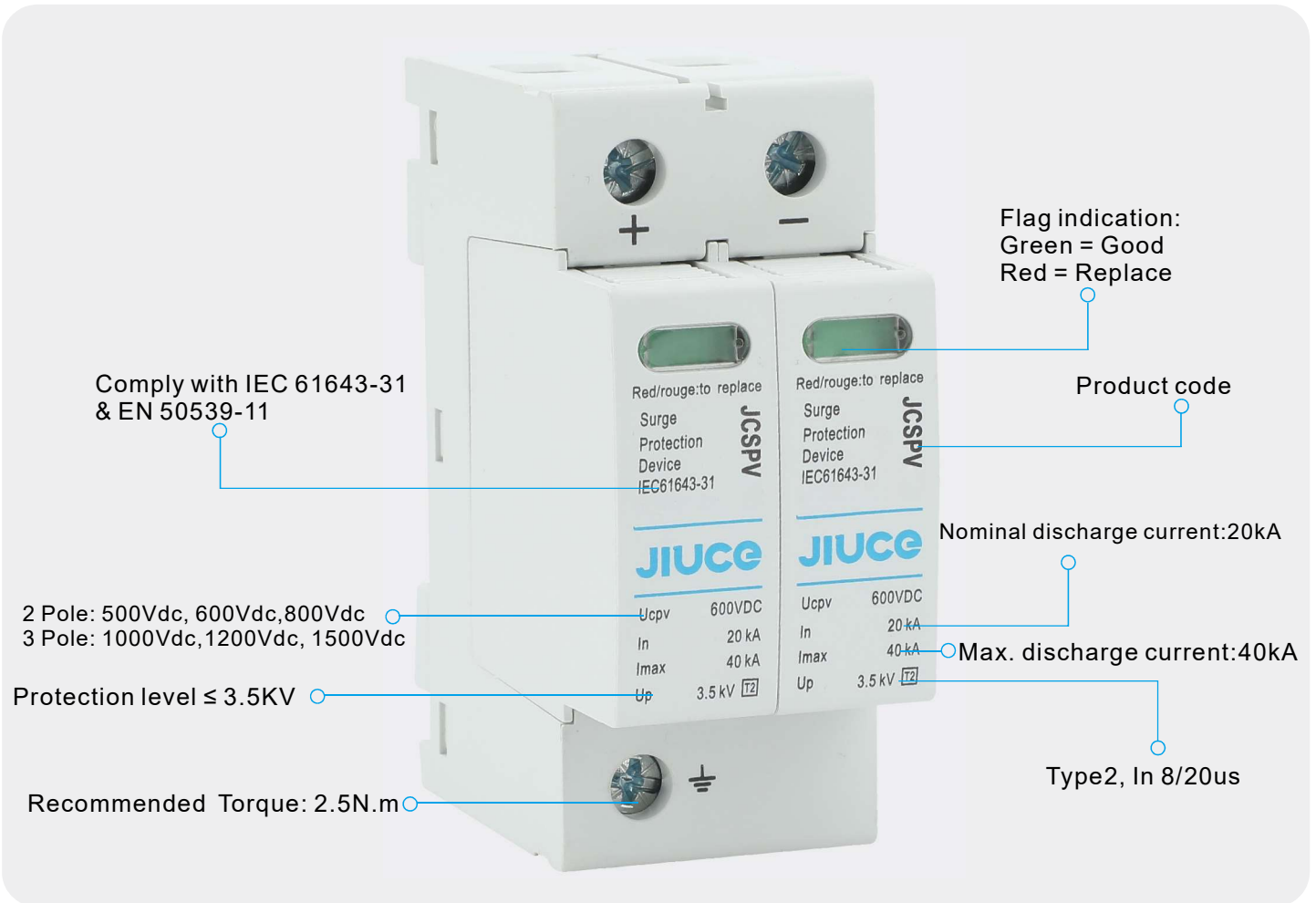


● JCSPV Photovoltaic surge protection Device



Description

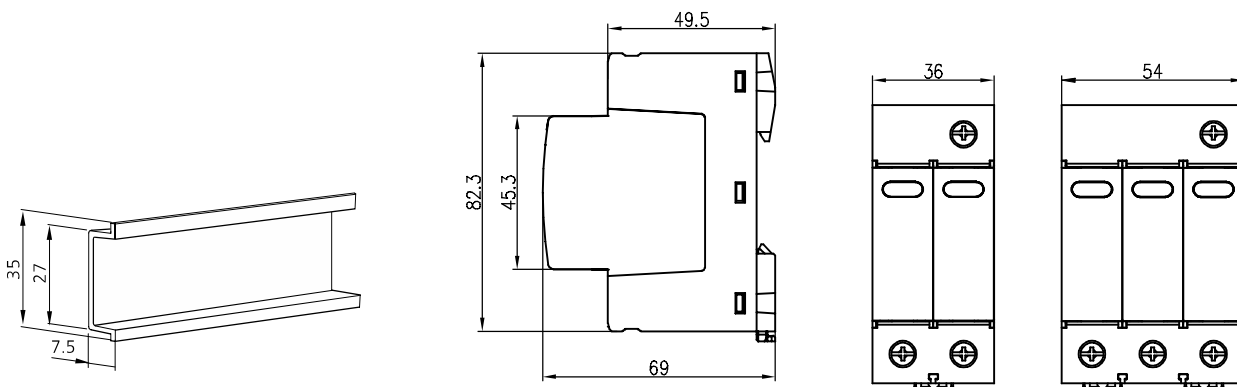
JCSPV PV surge protection devices are designed to protect against lightning surge voltages in photovoltaic power supply network. Based on the use of specific varistors, providing a protection in common mode or common and differential mode

Key Features

- Nominal discharge current: (In 8/20us) 20kA
- Max. Discharge current: (Imax 8/20us) 40kA
- Flag indication: **Green = Good / Red = Replace**
- Plug-in module design with status indication
- Complies with IEC61643-31 & EN 50539-11
- Surge protection device must be installed upstream of an RCD within the installation

Application

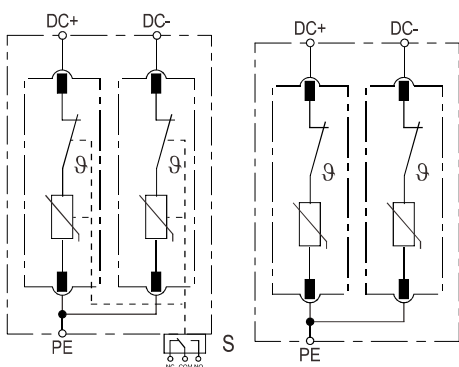
JCSPV PV Surge Protection Device (SPD) for photovoltaic PV solar applications. For installation of DC side to protect the terminal device in a PV system, like solar panels and inverters against the effects of lightning surge current.



Technical Data

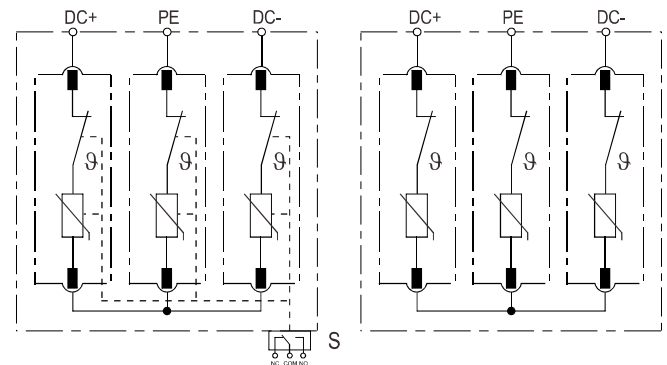
Product code	JCSPV	
Type	Type2	
Network	PV network	
Pole	2 P	3P
Max. PV operating voltage U_{cpv}	500Vdc, 600 Vdc, 800Vdc	1000 Vdc, 1200Vdc, 1500Vdc
Current withstand short circuit PV I_{scpv}	15 000 A	
Nominal discharge current I_n	20 kA	
Max. discharge current I_{max}	40kA	
Protection level U_p	3.5kV	
Connection mode(s)	+/-/PE	
Connection to Network	By screw terminals: 2.5-25 mm ²	
Mounting	Symmetrical rail 35 mm (DIN 60715)	
Operating temperature	-40 / +85°C	
Protection rating	IP 20	
Visual Indication	Green=Good, Red=Replace	
Standards compliance	IEC 61643-31 / EN 50539-11	

JCSPV 500Vdc, 600Vdc, 800Vdc



PE Protective earth
 S Signalling Contacts Optional

JCSPV 1000Vdc, 1200Vdc, 1500Vdc



PE Protective earth
 S Signalling Contacts Optional