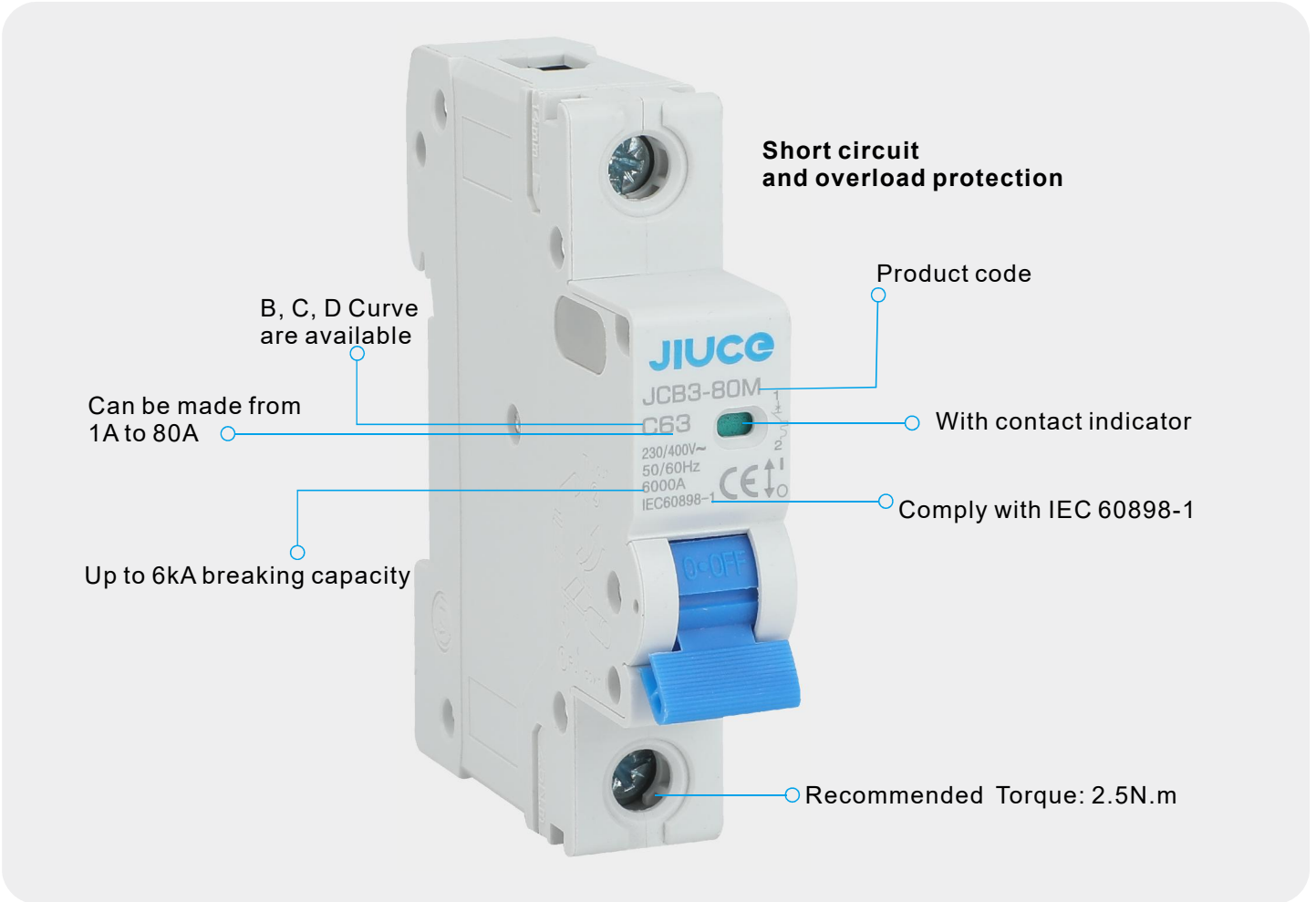


## ● JCB3-80M Miniature Circuit Breaker (MCB) 6kA



## Function

- Protection of circuits against short-circuit currents;
- Protection of circuits against overload currents;
- Switch;
- Isolation

## Application

JCB3-80M circuit-breakers are used in domestic installation, as well as in commercial and industry electrical distribution systems.

## Selection

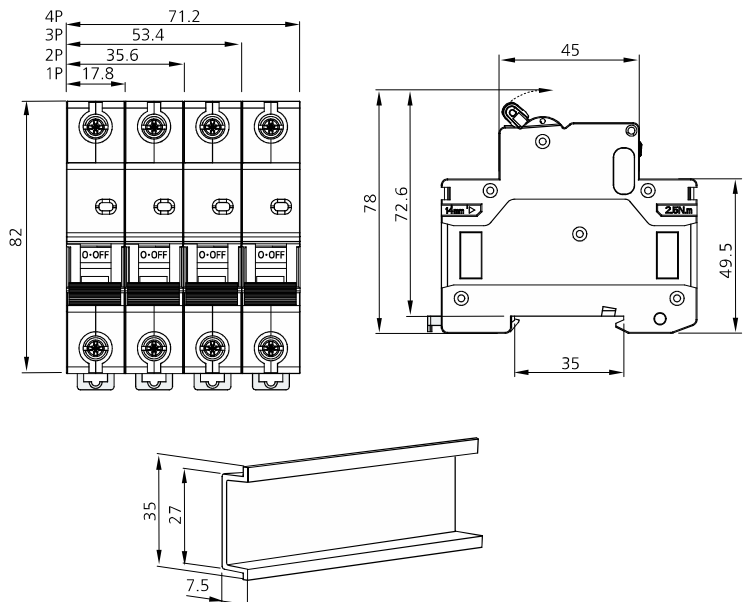
Technical data of the network at the point considered: the earthing systems (TNS, TNC), short-circuit current at the circuit-breaker installation point, which must always be less than the breaking capacity of this device, network normal voltage.

### Tripping curves:

B curve (3-5I<sub>n</sub>)---protection for people and big length cables in TN and IT systems.

C curve (5-10I<sub>n</sub>)---protection for resistive and inductive loads with low inrush current

D curve (10-14I<sub>n</sub>)---protection for circuits which supply loads with high inrush current at the circuit closing (LV/LV transformers, breakdown lamps)



Product code	JCB3-80M												
Picture													
Pole	1 Pole	2 Pole	3 Pole	4 Pole									
Electrical features	Standard	IEC/EN 60898-1		IEC/EN 60947-2									
	Rated current $I_n$ (A)	1, 2, 3, 4, 6, 10, 16, 20, 25, 32, 40, 50, 63, 80											
	Poles	1P, 1P+N, 2P, 3P, 3P+N, 4P		1P, 2P, 3P, 4P									
	Rated voltage $U_e$ (V)	230/400~ 240/415											
	Insulation voltage $U_i$ (V)	500											
	Rated frequency	50/60Hz											
	Rated breaking capacity	6kA											
	Energy limiting class	3											
	Rated impulse withstand voltage (1.2/50) $U_{imp}$ (V)	4000											
	Dielectric test voltage at ind. Freq. for 1 min (kV)	2											
	Pollution degree	2											
	Power loss per pole	<table border="1"> <tr> <th colspan="4">Rated current (A)</th> </tr> <tr> <td>1, 2, 3, 4, 6, 10, 16, 20, 25, 32, 40, 50, 63, 80</td> <td></td> <td></td> <td></td> </tr> </table>				Rated current (A)				1, 2, 3, 4, 6, 10, 16, 20, 25, 32, 40, 50, 63, 80			
	Rated current (A)												
1, 2, 3, 4, 6, 10, 16, 20, 25, 32, 40, 50, 63, 80													
Thermo-magnetic release characteristic	B, C, D		8-12 $I_n$ , 9.6-14.4 $I_n$										
Mechanical features	Electrical life	4,000											
	Mechanical life	20,000											
	Contact position indicator	Yes											
	Protection degree	IP 20											
	Reference temperature for setting of thermal element (°C)	30											
	Ambient temperature (with daily average $\leq 35^\circ\text{C}$ )	-5...+40 °C											
	Storage temperature (°C)	-25...+70 °C											
Installation	Terminal connection type	Cable/U-type busbar/Pin-type busbar											
	Terminal size top/bottom for cable	25mm <sup>2</sup> / 18-4 AWG											
	Terminal size top/bottom for busbar	10mm <sup>2</sup> / 18-8 AWG											
	Tightening torque	2.5 N*m / 22 In-lbs.											
	Mounting	On DIN rail EN 60715 (35mm)											
	Connection	From top and bottom											
Combination with accessories	Auxiliary contact	Yes											
	Shunt release	Yes											
	Under voltage release	Yes											
	Alarm contact	Yes											

