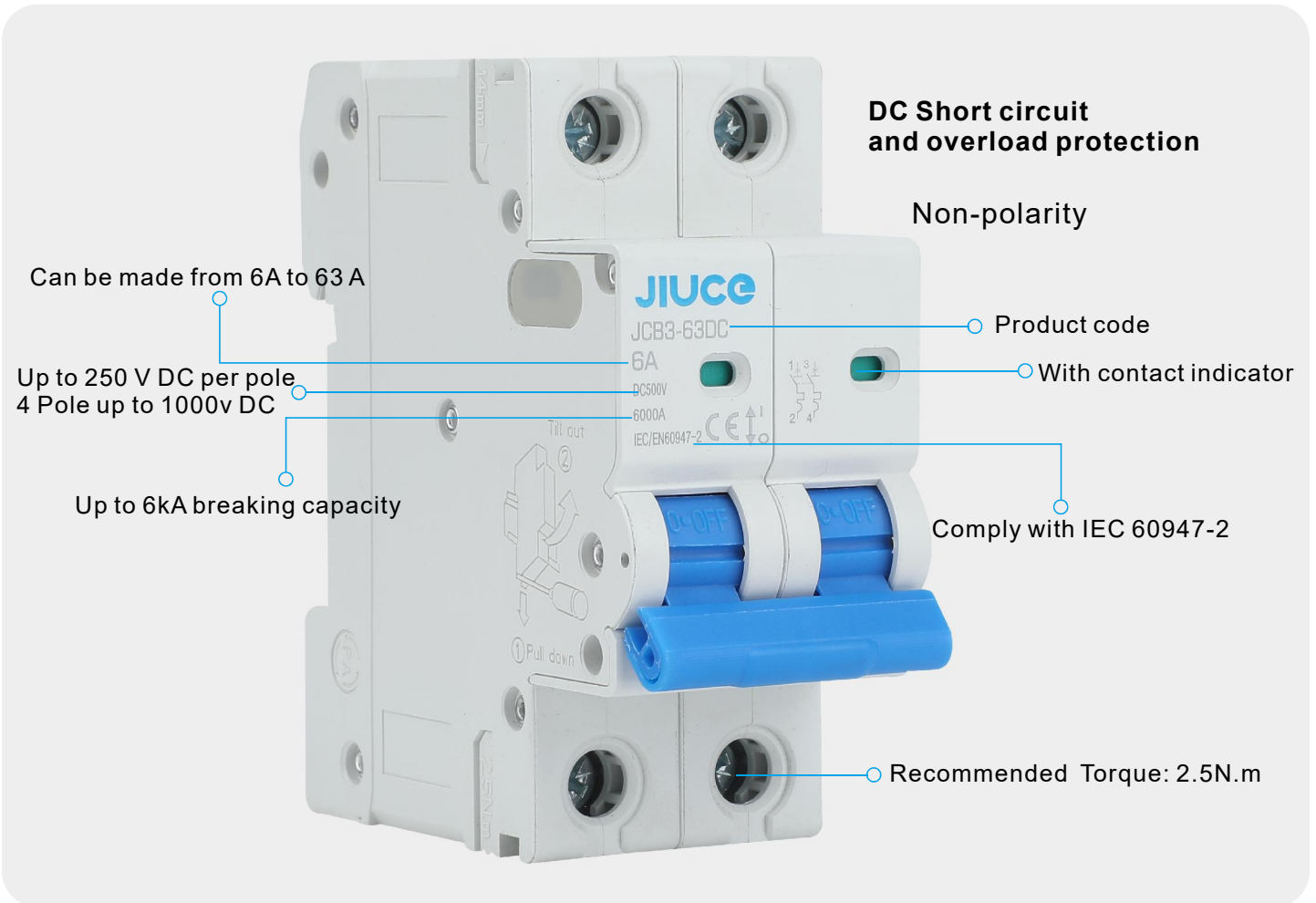


## ● JCB3-63DC Non-polarity DC Miniature Circuit Breaker (MCB)



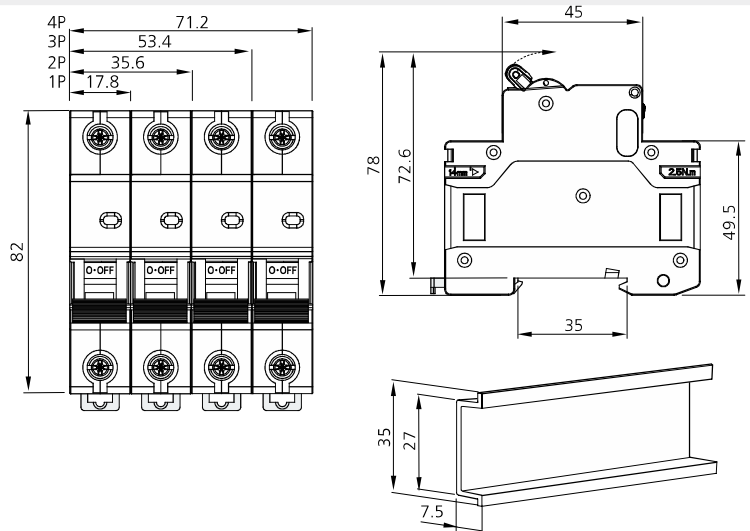
### General & Features

- Rated voltage up to 1000V, Rated current up to 63A
- Protection of circuits against overload currents
- Protection of circuits against short-circuit currents
- High breaking capacity

### Application

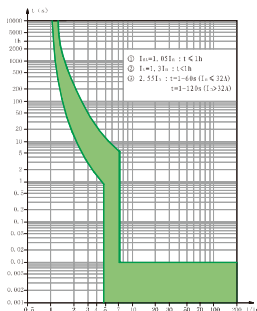
JCB3-63DC non-polarity DC circuit-breakers are used in communication systems and PV DC systems

### Wiring diagram

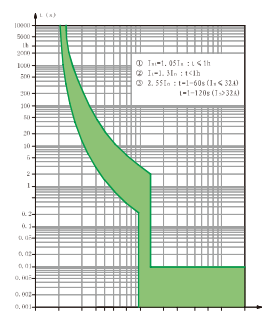


1P	2P	3P	4P

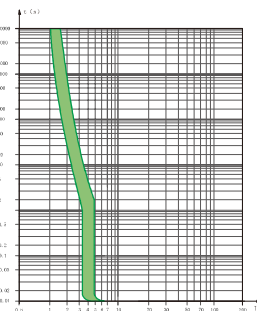
Product code	JCB3-63DC			
Picture				
Pole	1 Pole	2 Pole	3 Pole	4 Pole
Electrical features	Standard		IEC/EN 60947-2	
	Rated current In (A)		6, 10, 16, 20, 25, 32, 40, 50, 63	
	Rated voltage Ue (V)		1P:DC250V, 2P:DC500V, 3P:DC 750V, 4P:DC1000V	
	Insulation voltage Ui (V)		1000V	
	Rated impulse withstand voltage Uimp (V)		4000V	
	Rated breaking capacity		6 kA	
	Rated impulse withstand voltage (1.2/50) Uimp (V)		4000	
	Pollution degree		2	
Thermo-magnetic release characteristic		B Curve, C Curve		
Mechanical features	Electrical life		≥1500	
	Mechanical life		≥20000	
	Contact position indicator		Yes	
	Protection degree		IP 20	
	Reference temperature for setting of thermal element (°C)		30	
	Ambient temperature (with daily average ≤35°C)		-5...+40 °C	
Installation	Storage temperature (°C)		-25. . . +70 °C	
	Terminal connection type		Cable/U-type busbar/Pin-type busbar	
	Terminal size top/bottom for cable		25mm <sup>2</sup> / 18-4 AWG	
	Terminal size top/bottom for busbar		10mm <sup>2</sup> / 18-8 AWG	
	Tightening torque		2.5 N*m / 22 In-lbs.	
Combination with accessories	Mounting		On DIN rail EN 60715 (35mm)	
	Auxiliary contact		Yes	
	Shunt release		Yes	
	Under voltage release		Yes	
Alarm contact		Yes		


**B Curve 4In(1±20%)**

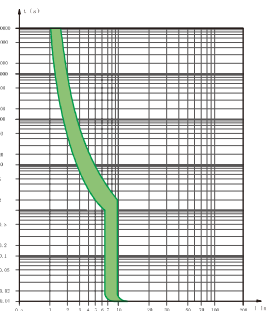
- Suitable for pure resistive load and microinductive circuit
- Available to rated current of 10A ~ 63A(63A Frame)
- Instantaneous tripping range: 4In±20%


**C Curve 8In(1±20%)**

- Suitable for general load and power distribution circuit
- Available to rated current of 10A ~ 63A(63A Frame)
- Instantaneous tripping range: 8In±20%


**B Curve 4In(1±20%)**

- Suitable for pure resistive load and microinductive circuit
- Available to rated current of 80A ~ 125A(125A Frame)
- Instantaneous tripping range: 4In±20%


**C Curve 8In(1±20%)**

- Suitable for general load and power distribution circuit
- Available to rated current of 80A ~ 125A(125A Frame)
- Instantaneous tripping range: 8In±20%