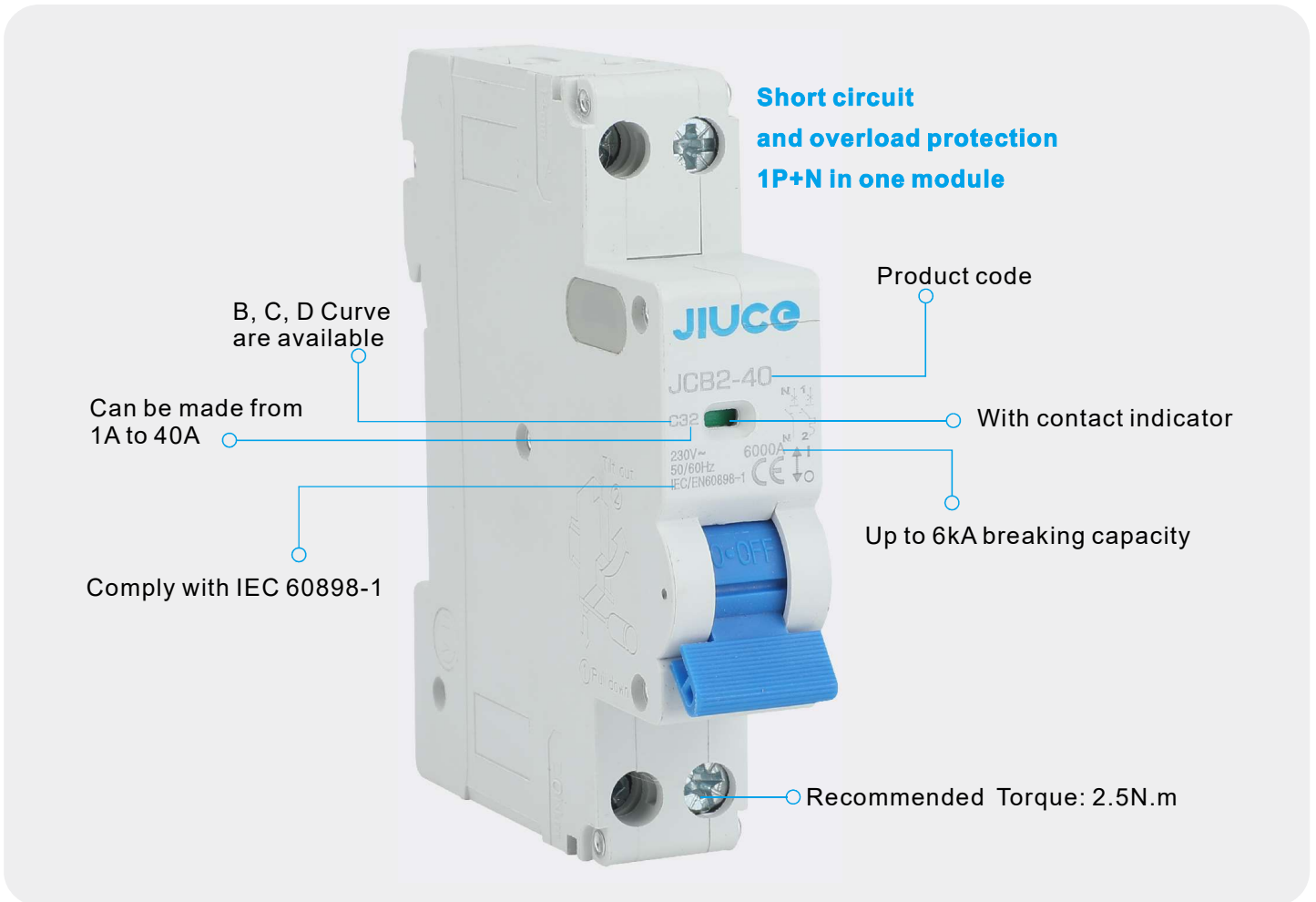


● JCB2-40M Miniature Circuit Breaker (MCB) 6kA 1P+N



Function

- Protection of circuits against short-circuit currents;
- Protection of circuits against overload currents;
- Switch;

Application

JCB2-40 circuit-breakers are used in domestic installation, as well as in commercial and industry electrical distribution systems.

Selection

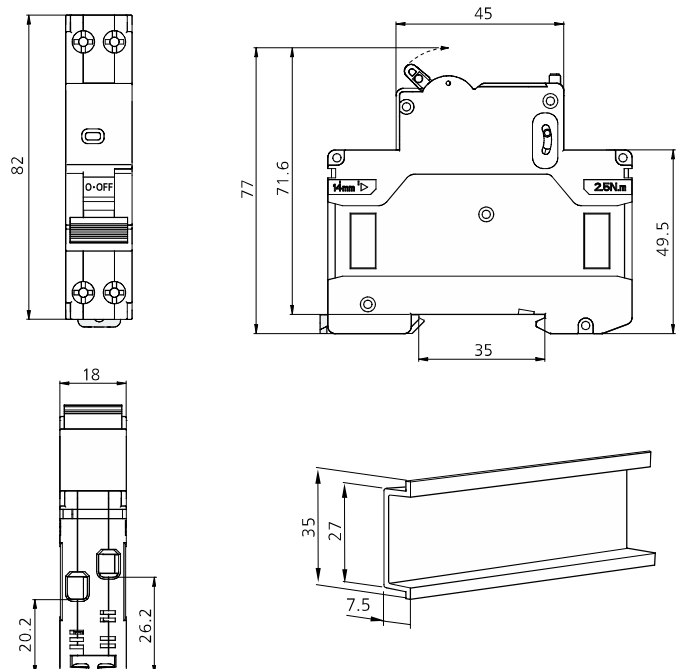
Technical data of the network at the point considered: the earthing systems (TNS, TNC), short-circuit current at the circuit-breaker installation point, which must always be less than the breaking capacity of this device, network normal voltage.

Tripping curves:

B curve (3-5I_n)---protection for people and big length cables in TN and IT systems.

C curve (5-10I_n)---protection for resistive and inductive loads with low inrush current

D curve (10-14I_n)---protection for circuits which supply loads with high inrush current at the circuit closing (LV/LV transformers, breakdown lamps)



	Standard	IEC/EN 60898-1
Electrical features	Rated current I _n (A)	1, 2, 3, 4, 6, 10, 16, 20, 25, 32, 40
	Poles	1P+N
	Rated voltage U _e (V)	230/240
	Insulation voltage U _i (V)	500
	Rated frequency	50/60Hz
	Rated breaking capacity	6kA
	Energy limiting class	3
	Rated impulse withstand voltage(1.2/50) U _{imp} (V)	4000
	Dielectric test voltage at ind. Freq. for 1 min (kV)	2
	Pollution degree	2
	Thermo-magnetic release characteristic	B, C, D
Mechanical features	Electrical life	4, 000
	Mechanical life	20, 000
	Contact position indicator	Yes
	Protection degree	IP20
	Reference temperature for setting of thermal element(°C)	30
	Ambient temperature (with daily average ≤35°C)	-5...+40
	Storage temperature (°C)	-25...+70
Installation	Terminal connection type	Cable/Pin-type busbar
	Terminal size top/bottom for cable	16mm ² / 18-5 AWG
	Terminal size top/bottom for Busbar	10mm ² / 18-8 AWG
	Tightening torque	2.5 N*m / 22 In-lbs.
	Mounting	On DIN rail EN 60715 (35mm)
	Connection	From top and bottom
Combination with accessories	Auxiliary contact	Yes
	Shunt release	Yes
	Under voltage release	Yes
	Alarm contact	Yes


JCB2-40
